

C A T A L O G U E 2 0 2 1

PLUG & PLAY SYSTEM



VENOM



CAR TYPE. LOW BUDGET GREEN CAR

TABLE OF CONTENTS.

01 Introduction

02 Product Type

03 Car Compatibility

04 Product Dimensions

05 Product Specification





INTRODUCTION



Enhance your ordinary speaker into
THE EXTRAORDINARY.

The installation process for Exodus product is very quick and easy.

This is because, Venom uses **"PLUG and PLAY"** wiring cable which does not need any wires cutting.

EXODUS PRODUCT TYPE



Tweeter & Mid-range
EX-SC (2 way system)



Speaker
EX-SCC (Coaxial)

TOYOTA



CALYA
front / rear door



AYLA
front / rear door



AVANZA
front / rear door



RUSH
front / rear door

WULING



CONFERO
front / rear door



CORTEZ
front / rear door



XENIA
front / rear door

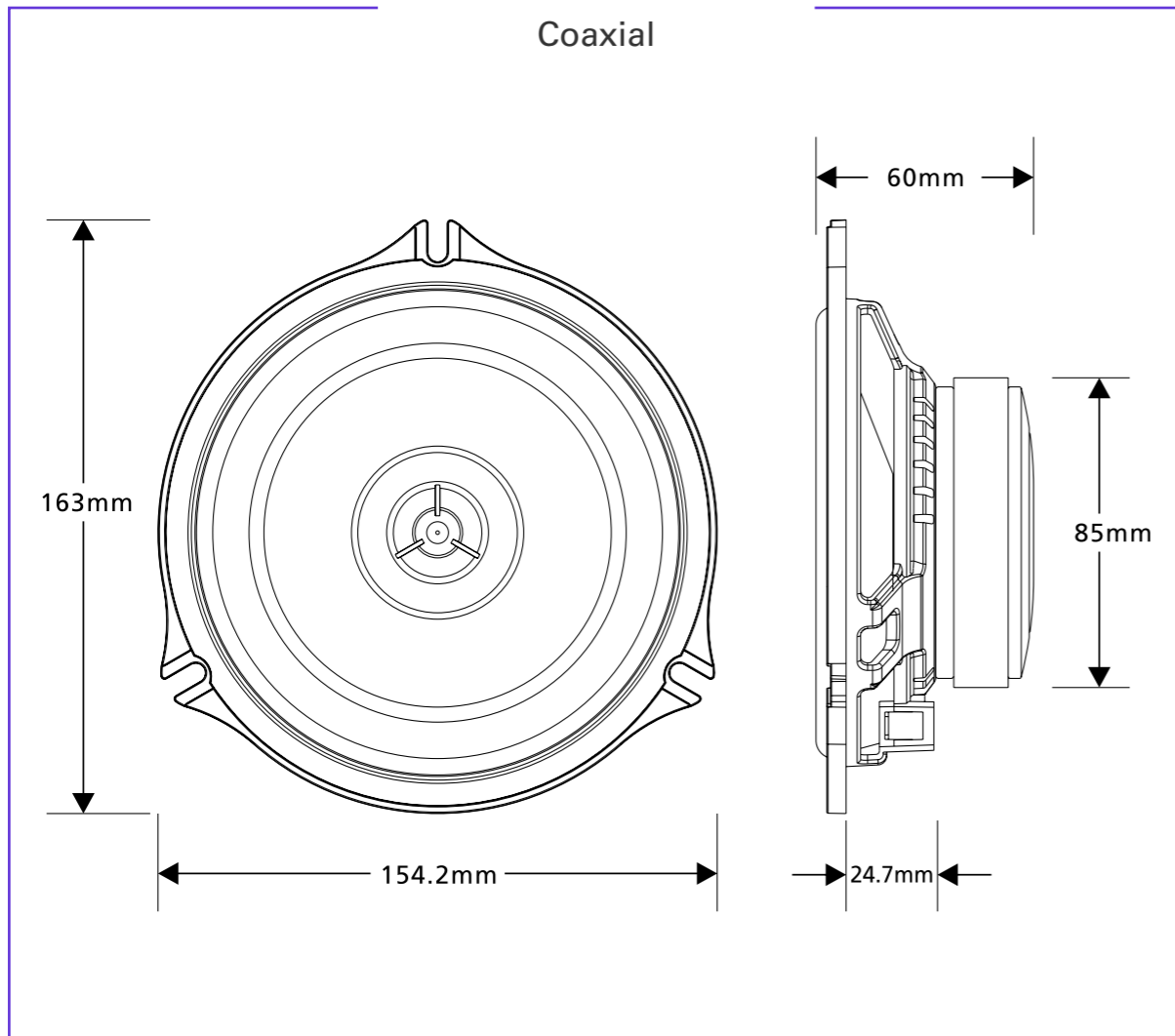


TERIOS
front / rear door

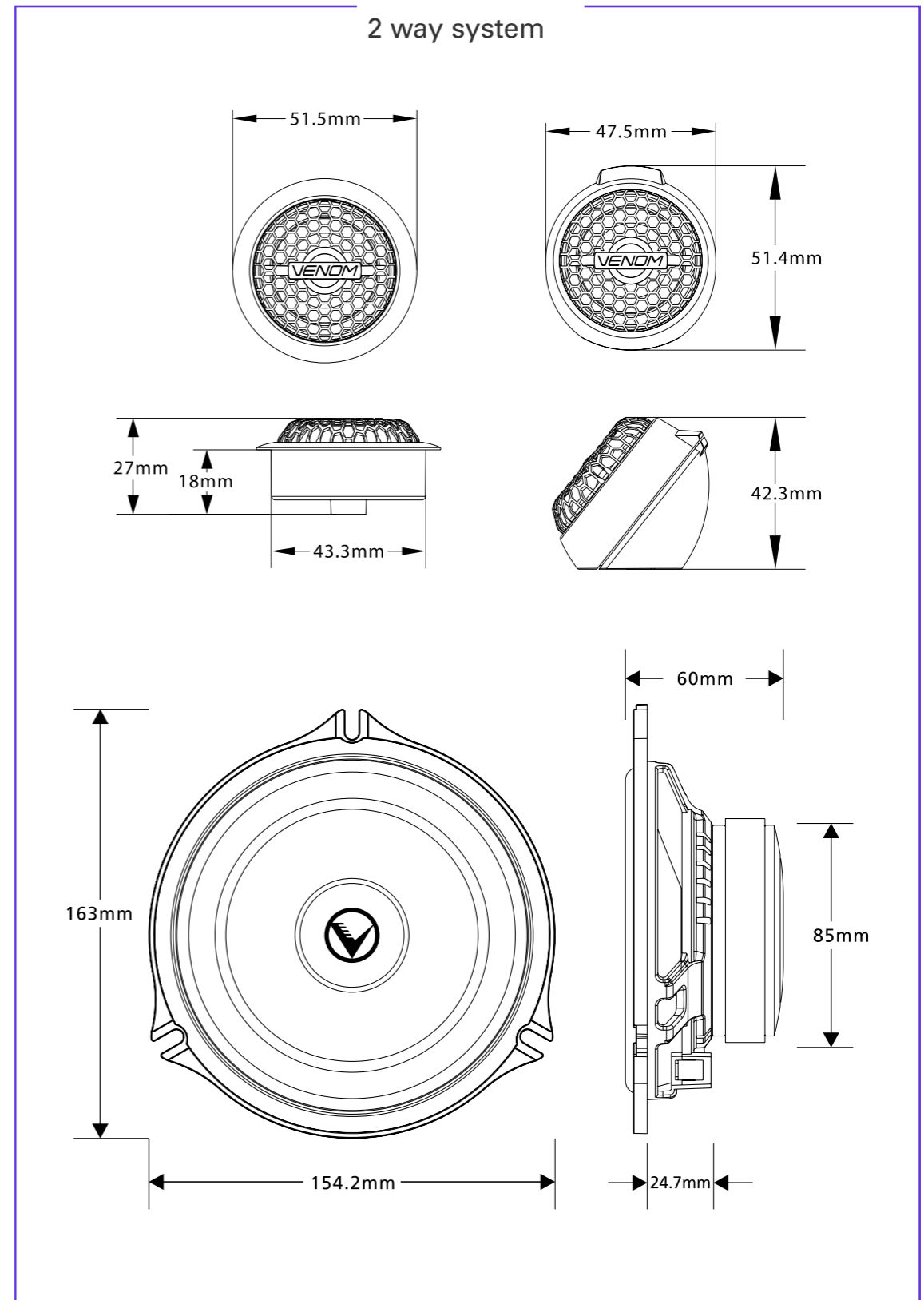
DAIHATSU

Car
COMPATIBILITY

EX - SCC
Coaxial



EX - SC
2 way system



Product
DIMENSIONS

Product SPECIFICATION



FEATURES

- ◆ 6.5 Inch 2-way component speaker / coaxial speaker
- ◆ Rated power: 30W
- ◆ Synthetic fiberglass cone
- ◆ 4 ohm 25.5mm ASV Voice coil
- ◆ Qts: 0.88
- ◆ BL: 3.95T
- ◆ Vas: 21.34 ltr
- ◆ Plug & Play connector for quick and easy installation

TECHNICAL PARAMETERS

SPECIFICATION	EX-SC	EX-SCC
RMS Power Handling	30W	30W
System Impedance	4Ω	4Ω
Sensitivity@1W/1m	90dB	90dB
Frequency Range	65Hz - 22KHz	65Hz - 20KHz
Magnet	Ferrite	Ferrite
Voice Coil	25.5mm	25.5mm
Tweeter V.C. Diameter	25.4mm	13.28mm
Basket	Reinforced ABS	Reinforced ABS
Cone	Fiberglass	Fiberglass

VENOM

