

C A T A L O G U E 2 0 2 1

PLUG & PLAY SYSTEM



VENOM



CAR TYPE. M E R C E D E S

TABLE OF CONTENTS.

01 Introduction

02 Product Type

03 Car Compatibility

04 Product Dimensions

05 Product Specification



INTRODUCTION



Enhance your ordinary speaker into
THE EXTRAORDINARY.

The installation process for Exodus product is very quick and easy.

This is because, Venom uses **"PLUG and PLAY"** wiring cable which does not need any wires cutting.

EXODUS PRODUCT TYPE



Tweeter
EX-BENZ SP



Mid-range
EX-BENZ SP



Subwoofer
EX-BENZ SW



C Class

W205 / Sedan — from 2014

S205 / Estate — from 2014

C205 / Coupé — from 2015

A205 / Convertible — from 2016

W213 / Sedan — from 2016

S213 / Estate — from 2016

C238 / Coupé — from 2017

A238 / Convertible — from 2017

E Class



GLC Class

W222 / Sedan — from 2013

X253 / SUV — from 2015

C253 / SUV — from 2015

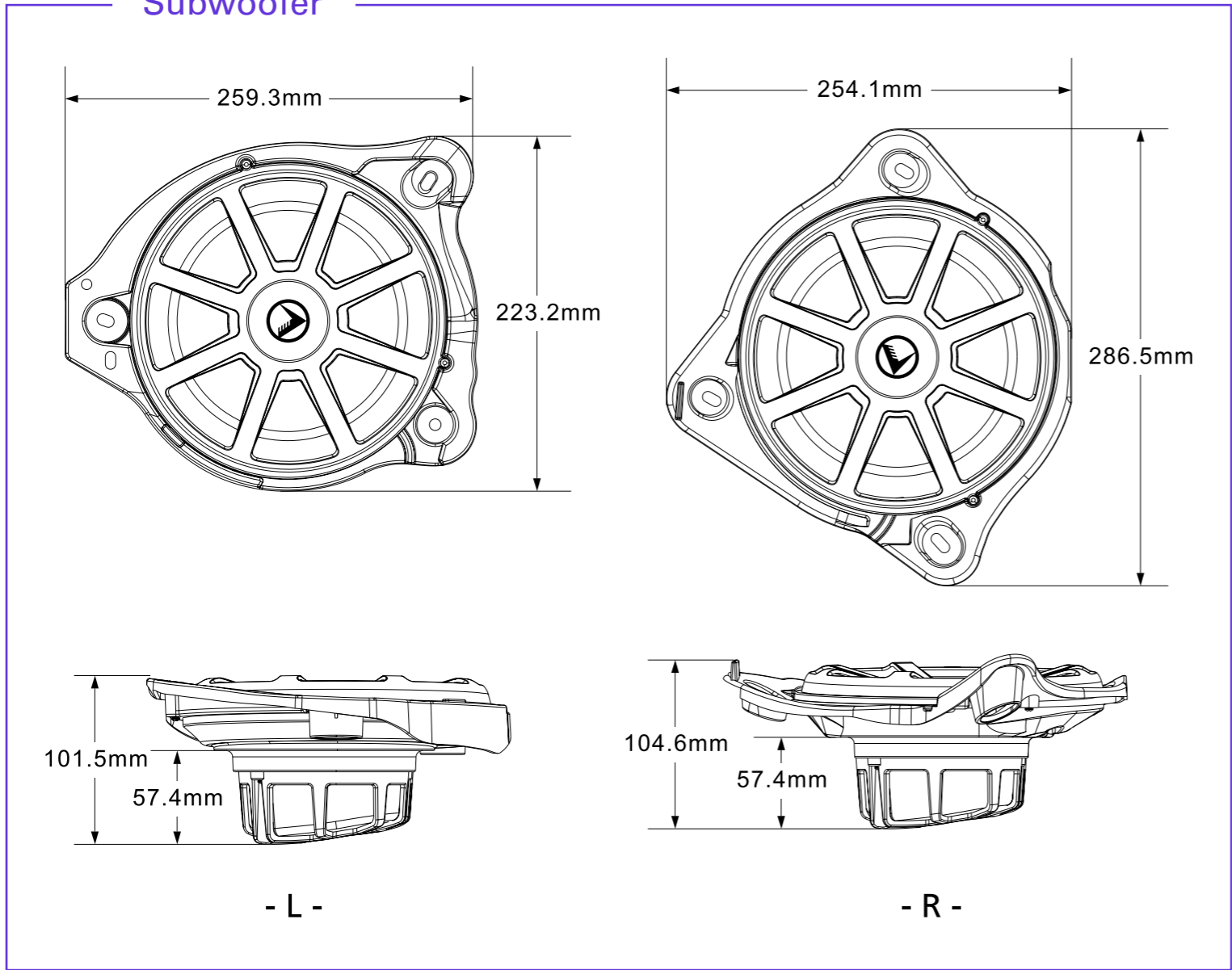
W222 / Sedan — from 2013

S Class

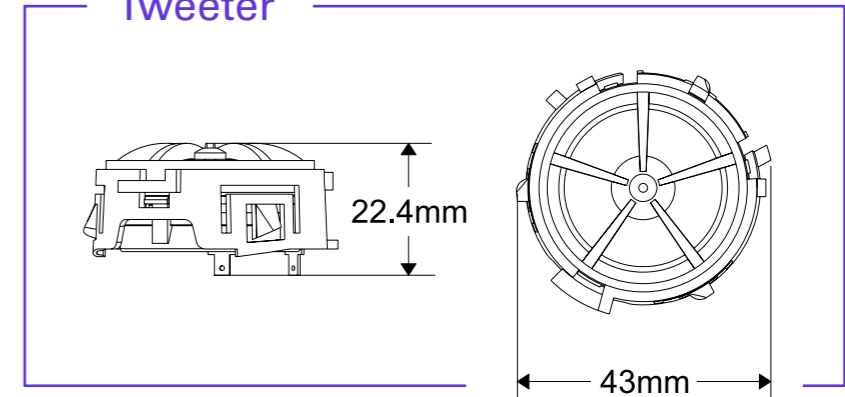


Car COMPATIBILITY

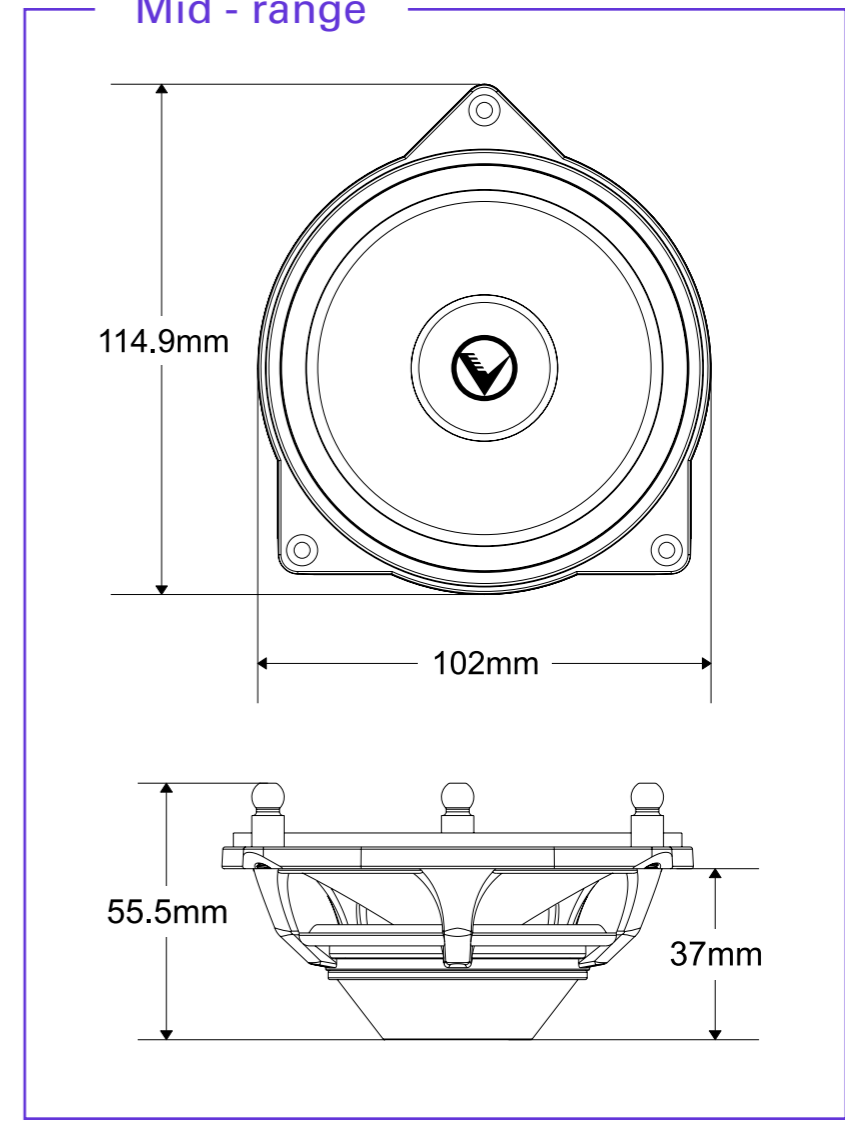
Subwoofer



Tweeter



Mid - range



Product DIMENSIONS

Product SPECIFICATION

/ Mid - Range & Tweeter



FEATURES

- ◆ A Pair of 4" Midrange Speakers and 1" Tweeter installed in Door Panel
- ◆ Plug & Play Connector for Quick and Easy Mount
- ◆ Direct Fit for Factory Speaker Replacement
- ◆ Rigid Die-cast Aluminium Basket
- ◆ Fiberglass Cone with Treated Rubber Surround
- ◆ Large Neodymium Magnet for High Power Handling

TECHNICAL PARAMETERS

- ◆ MAX Power Handling: 60 Watts
- ◆ RMS Power Handling: 25 Watts
- ◆ System Impedance: 3.6Ω
- ◆ Sensitivity@1W/1M: 89dB
- ◆ Frequency Range: 90Hz - 22KHz
- ◆ Magnet: Neodymium
- ◆ Voice Coil: 25.5mm
- ◆ Basket: Alluminium
- ◆ Cone: Fiberglass

Product SPECIFICATION

/ Subwoofer



FEATURES

- ◆ A Pair of 8" Subwoofer under Footwell Installation
- ◆ Plug & Play Connector for Quick and Easy Mount
- ◆ Direct Fit for Factory Speaker Replacement
- ◆ Rigid Die-cast Aluminium Basket
- ◆ Fiberglass Cone with Treated Rubber Surround
- ◆ Large Neodymium Magnet for High Power Handling

TECHNICAL PARAMETERS

- ◆ MAX Power Handling: 120 Watts
- ◆ RMS Power Handling: 50 Watts
- ◆ System Impedance: 2Ω
- ◆ Sensitivity@1W/1M: 86dB
- ◆ Frequency Range: 55Hz - 2KHz
- ◆ Magnet: Neodymium
- ◆ Voice Coil: 35.55mm
- ◆ Basket: Alluminium
- ◆ Cone: Fiberglass

VENOM

