

C A T A L O G U E 2 0 2 1

PLUG & PLAY SYSTEM



VENOM



CAR TYPE. M I T S U B I S H I

TABLE OF CONTENTS.

01 Introduction

02 Product Type

03 Car Compatibility

04 Product Dimensions

05 Product Specification





INTRODUCTION

Enhance your ordinary speaker into
THE EXTRAORDINARY.

The installation process for Exodus product is very quick and easy.

This is because, Venom uses **"PLUG and PLAY"** wiring cable which does not need any wires cutting.

EXODUS PRODUCT TYPE

Tweeter & Mid-range
EX-M (2 way system)



Speaker
EX-MC (Coaxial)



LANCER EVOLUTION X
front / rear door



ASX
front / rear door



ECLIPSE CROSS
front / rear door



OUTLANDER
front / rear door



PAJERO
front / rear door



XPANDER
front / rear door

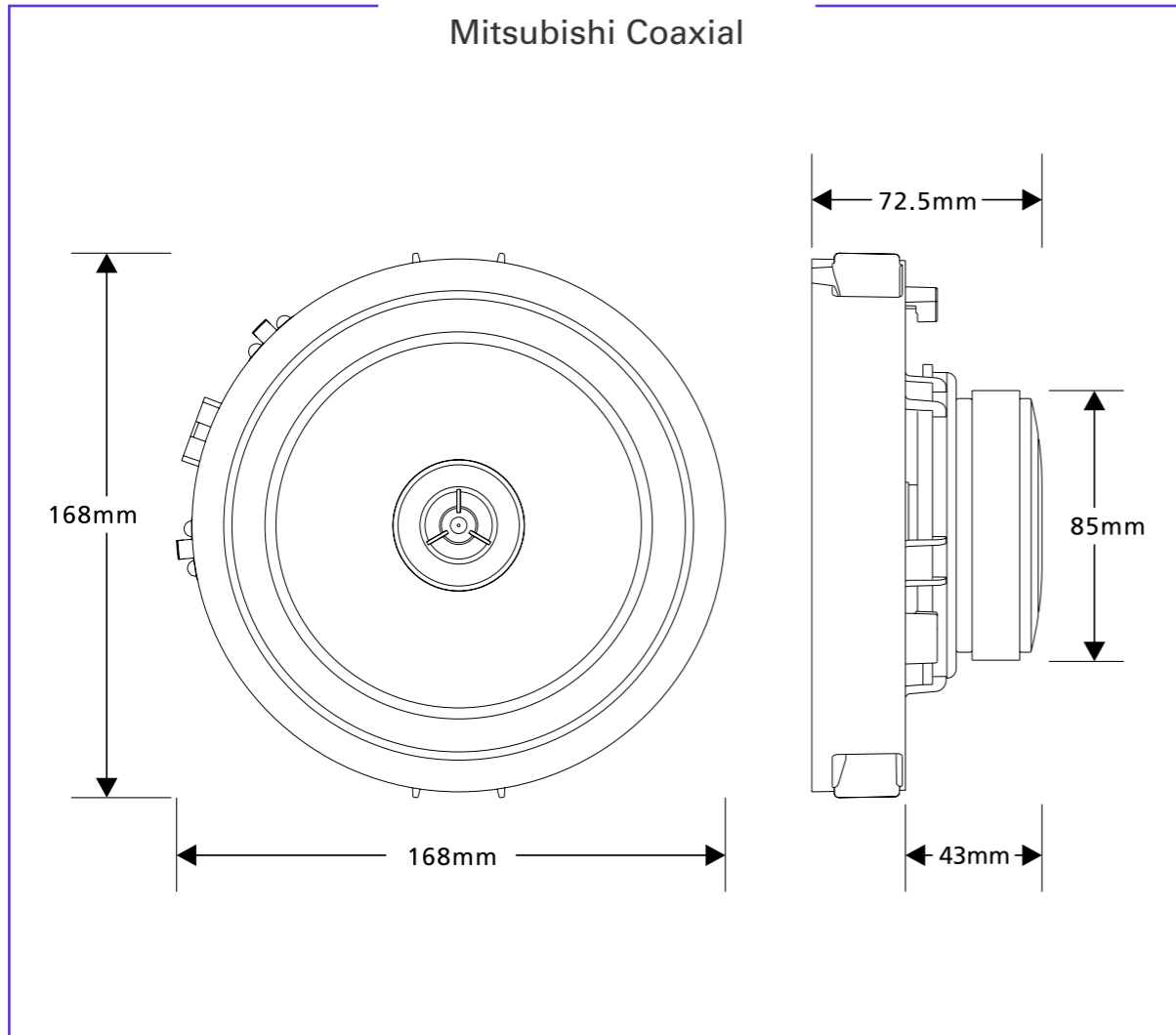


NEW LIVINA
front / rear door

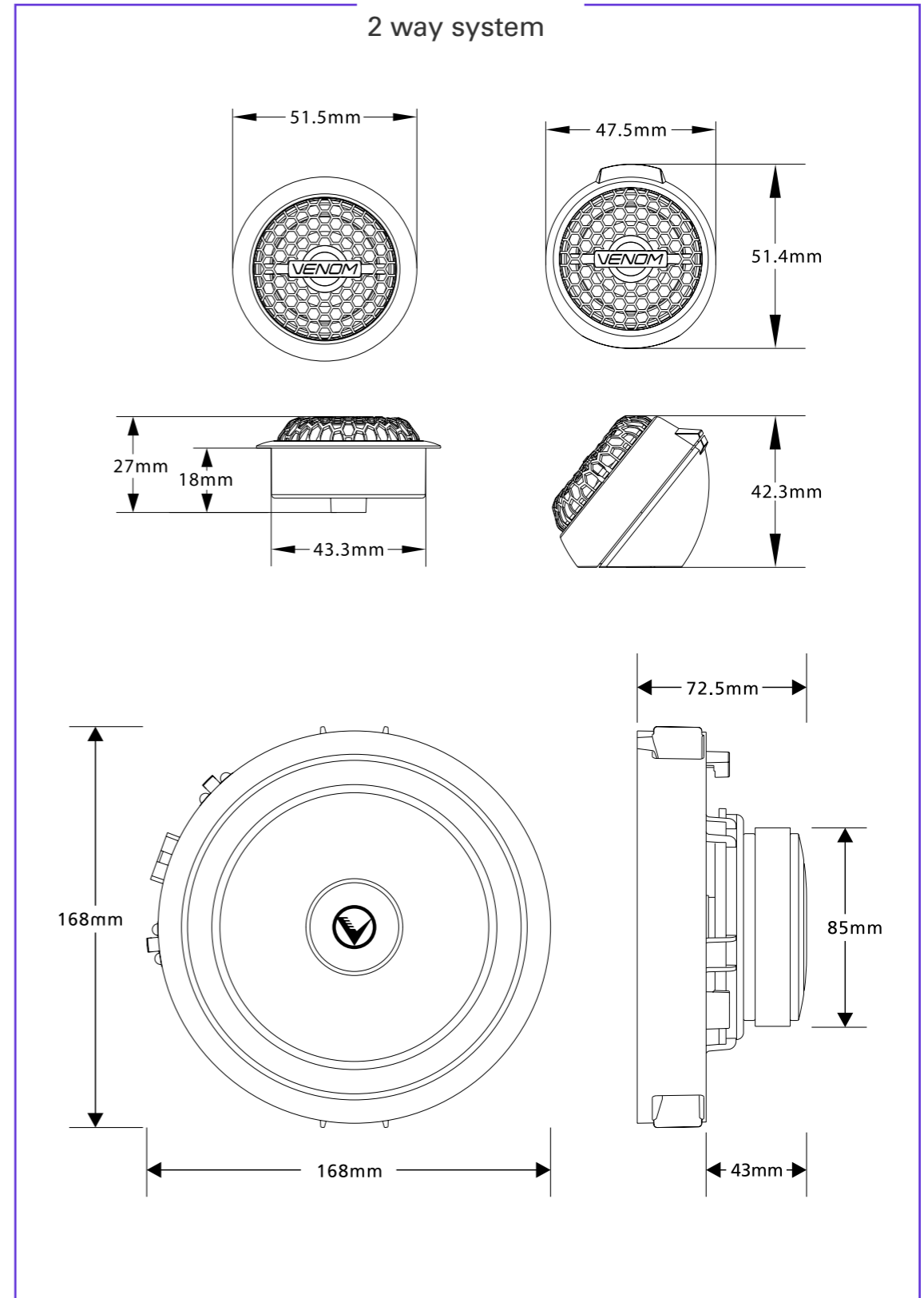
Car COMPATIBILITY



EX - MC
Mitsubishi Coaxial



EX - M
2 way system



Product
DIMENSIONS

Product SPECIFICATION



FEATURES

- ◆ 6.5 Inch 2-way component speaker / coaxial speaker
- ◆ Rated power: 40W
- ◆ Synthetic fiberglass cone
- ◆ 4 ohm 25.5mm ASV Voice coil
- ◆ Qts: 0.903
- ◆ BL: 3.8T
- ◆ Vas: 15.65 ltr
- ◆ Plug & Play connector, specific for Mitsubishi vehicles

TECHNICAL PARAMETERS

PART	EX-M	EX-MC
RMS Power Handling	40W	40W
System Impedance	4Ω	4Ω
Sensitivity @1W/1M	89dB	89dB
Frequency Range	61Hz - 22KHz	61Hz - 20KHz
Magnet	Ferrite	Ferrite
Voice Coil	25.5mm	25.5mm
Tweeter V.C. Diameter	25.4mm	13.28mm
Basket	Reinforced ABS	Reinforced ABS
Cone	Fiberglass	Fiberglass

VENOM

